



BULK MATERIALS HANDLING SOLUTIONS  
*MADE BETTER*

## K-Sure Belt Support System

### Replacement Belt Support System For Trough Idlers

Effective skirting performance can only be achieved by proper belt support. Material spillage due to belt sag can easily be controlled by fitting this system, which utilizes the existing idler frames.

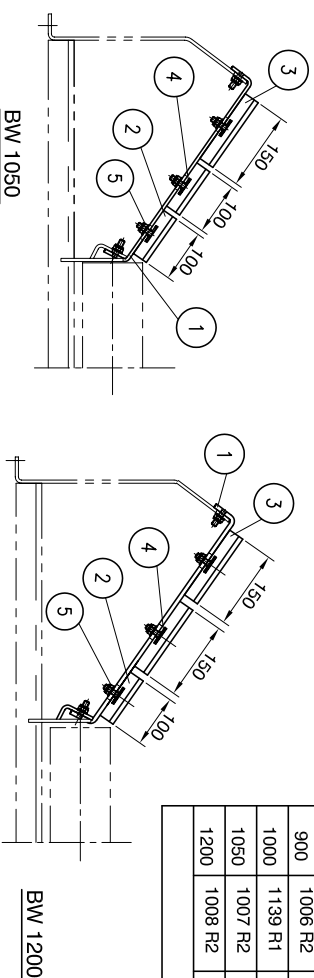
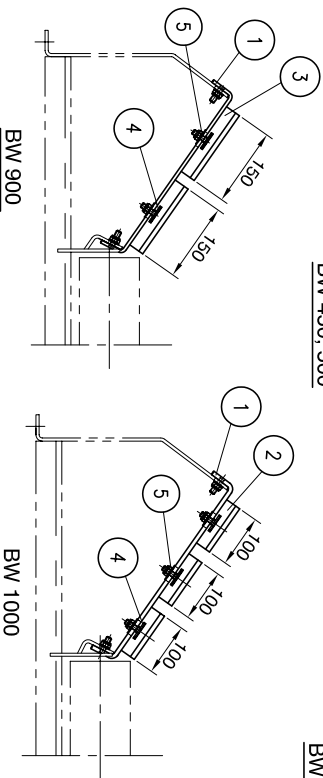
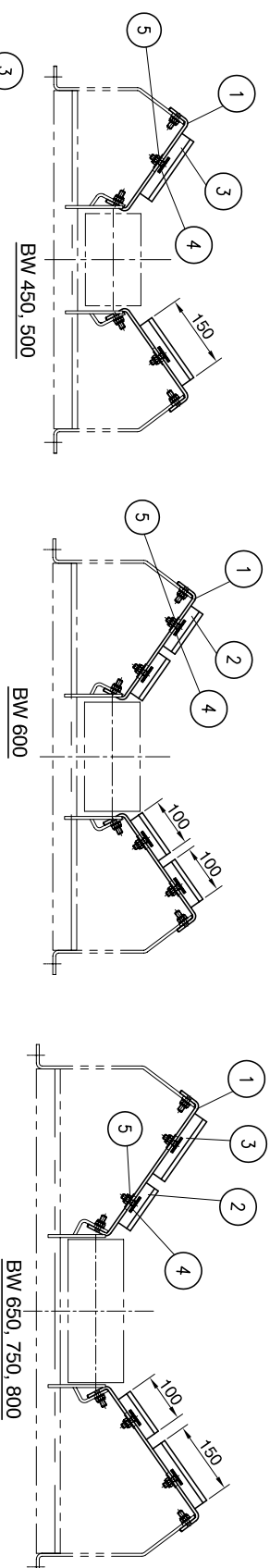
Belt edge sag, which is a likely cause of spillage, is quickly eliminated when the wing rollers are replaced with the K-SURE BELT SUPPORT BRACKETS and K-SURE BELT SUPPORT SLIDER RAILS. The system requires no pre-engineering and fitting the rails is elementary.

- Limits Belt Damage
- Controls spillage
- Reduces dust leakage
- Fits into existing idler frames
- Easy to install



BRITRAC (AUS) PTY LTD

P: 07 4774 6949 | F: 07 4774 6887 | E: [sales@britrac.com](mailto:sales@britrac.com) | W: [www.britrac.com](http://www.britrac.com)



BW	Slider Rail Assembly Dwg No	Adaptor, Item 1 10-OFF		Slider Rail			T-Bolt- Item 4 P/N KSTEE		Flat Round Washer Item 5		
		Dwg No	Check	Dwg No. 1024 R2	Type 100-Item 2	Type 150-Item 3	QTY	Check	QTY	Check	
450	1001 R2	1009 R2				2		10		10	
500	1002 R2	1010 R2				2		10		10	
600	1003 R2	1226 R1		4				20		20	
650	1004 R2	1011 R2		2		2		20		20	
750	1005 R2	1012 R2		2		2		20		20	
800	1295 R1	1013 R2		2		2		20		20	
900	1006 R2	1014 R2				4		20		20	
1000	1139 R1	1227 R1		6				30		30	
1050	1007 R2	1015 R2		4		2		30		30	
1200	1008 R2	1016 R2		2		4		30		30	

LARGER BELT WIDTHS ON REQUEST

M10 Nyloc Nut CW 3/8"x1 1/4"

Specifications subject to change without notice.  
 Certified drawings are available on request.

## K-Sure Belt Support System