

K-Snap-Loc Dust Seal System



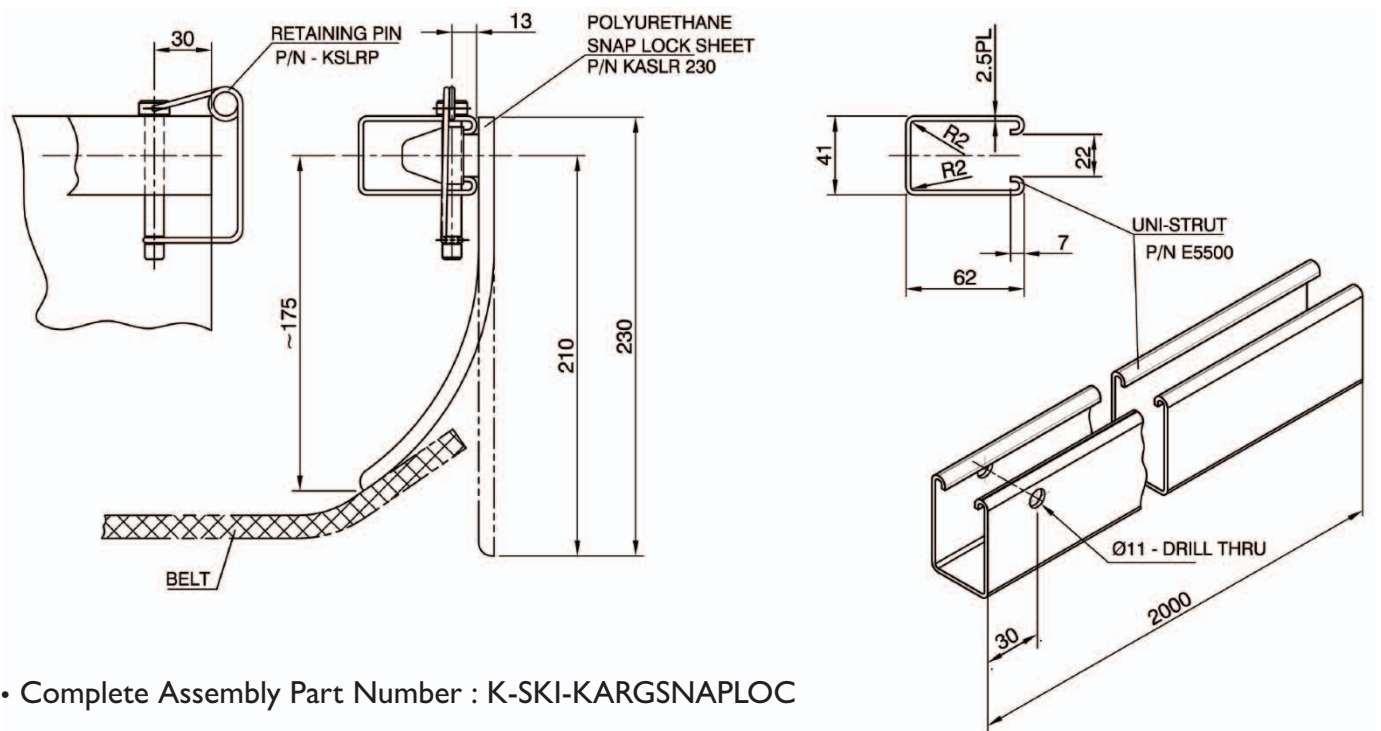
Argonics Snap-Loc Dust Seal is a practical and cost effective solution to dust control. It's unique design installs quickly and easily into most conveyor systems. Simply tack weld the mounting rail to your system, snap the dust seal into place, then just pin it and forget it.

The Snap-Loc Dust Seal utilizes High Performance Polyurethane which stands up to the harshest environments. Snap-Loc Dust Seal utilizes our urethane's inherent "memory-set" to apply downward pressure onto the belts surface to create a fine tight seal, so there is no need for manual adjustment.

Snap-Loc Dust Seal is also very cost effective by producing 60% less drag on your conveyor belt system than equivalent rubber seals on the market today. This vastly improves start-up conditions.

- High performance Argonics Polyurethane
- Welded or bolted installation
- Easy to Maintain
- Supplied in 15.2 M lengths. Reduces belt friction by 60% compared to rubber seals
- Standard Uni-Strut galvanized steel mount
- Available in various harness and flame retardant properties to suit specific applications

K-Snap-Loc Dust Seal System



- Complete Assembly Part Number : K-SKI-KARGSNAPLOC
- Holder Part Number : K-SKI-KARGSLU-I
- Snap Lock Element : K-SKI-KARGSNAPLOC230 x 15