



BULK MATERIALS HANDLING SOLUTIONS
MADE BETTER

K-Quick Clamp Skirting System

To ensure a proper seal, conveyor skirting rubber must be adjusted regularly to prevent dust leakage. K-Quick Clamp Skirt System allows plant operators to fit, release and adjust skirting rubber easily and without tools. The system is suited to awkward and confined spaces.

K-Quick Clamp Skirting System is zinc plated and consists of 2 cam assemblies to be spaced at nominal 500 mm centers. The one metre length of aluminum V Clamp rail is included. It is available also in T304 Stainless Steel.



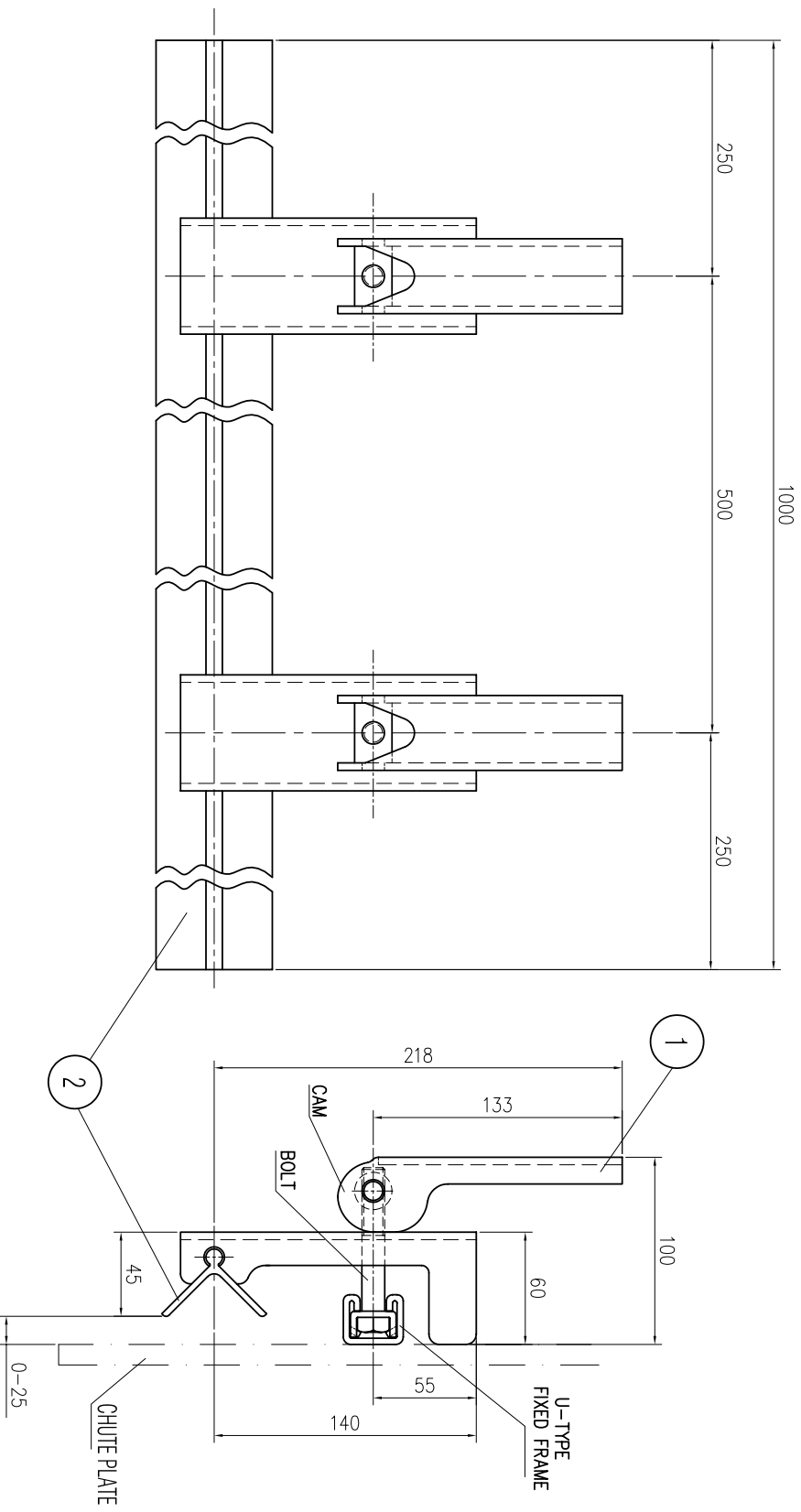
Features

- No Tools Required
- Easy to Fit
- Fast Adjustment
- Uses Standard Rubber
- One Size For All Applications



BRITRAC (AUS) PTY LTD

P: 07 4774 6949 | F: 07 4774 6887 | E: sales@britrac.com | W: www.britrac.com



Specifications subject to change without notice.
 Certified drawings are available on request.

K-Quick Clamp Skirting System